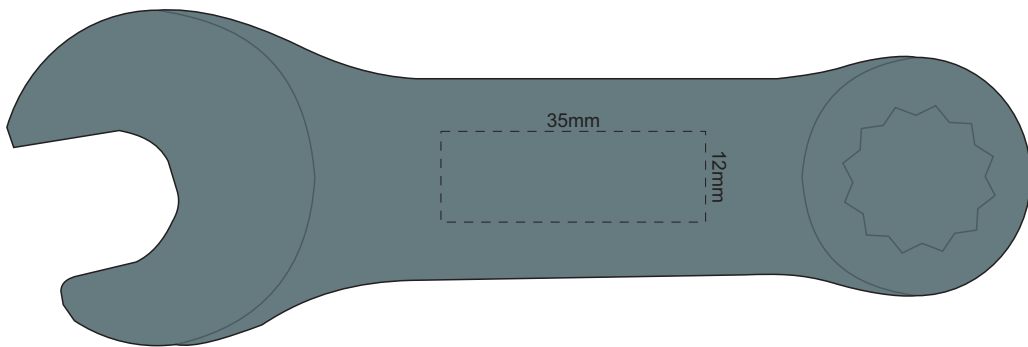


100% of Actual Size
Pad Print (one colour)



We wish to advise that, due to the surface & general makeup of this stress product, we cannot guarantee a solid print true to PMS colour. Print will degrade with regular use.